

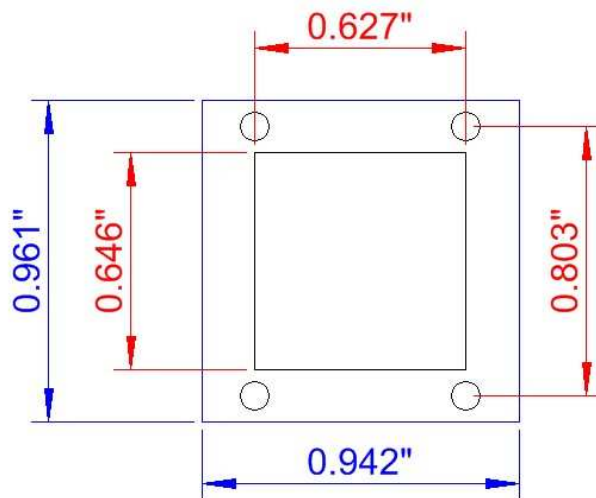
Diablo

Mounting Dimensions

Mounting Diagrams for Diablo, Lightning and Motor - Inches

The Diablo only requires a simple rectangular hole in the floor to mount using the supplied mounting plate. The dimensions are:

Diablo Hole Dimensions in Inches

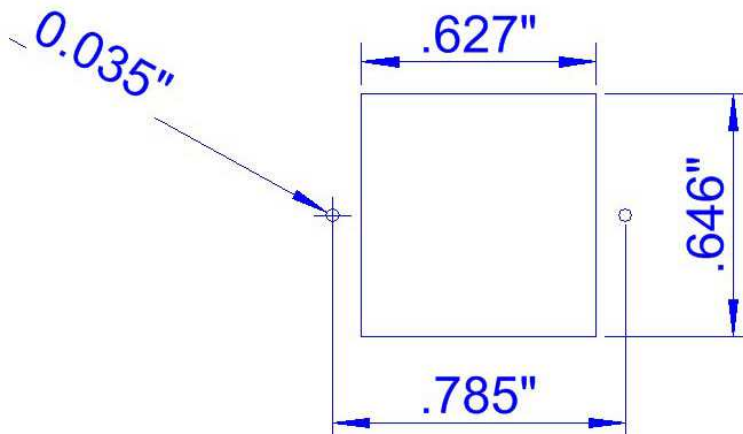


Blue sections are the outside dimensions of the supplied mounting frame

The inside black square is the hole required in the floor of the model, the outer blue frame shows the outside extents of the mounting frame. The four holes take the four 2mm diameter screws supplied with the kit, drill these 0.08" diameter.

If you are mounting the Diablo direct to your own floor and do not wish to use the supplied mounting frame, these are the dimensions of the holes required:

Diablo Direct Mounting in Inches



Mounting the Lightning directly to a thin floor only requires a single 1/8" diameter hole, however if you choose to use the supplied nickel silver mounting plate, these are the dimensions of the mounting:

Lightning Hole Diagram for Nickel Silver Plate in Inches

